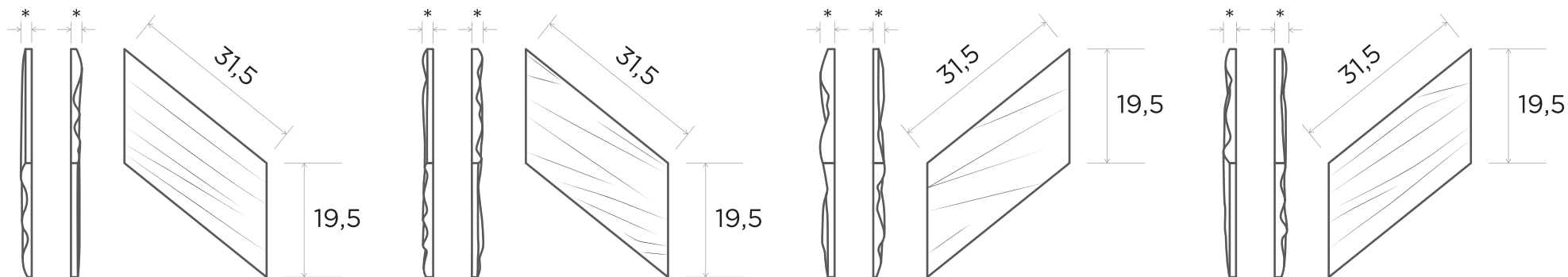


CALIPSO SMOOTH

DE MARCHI
VERONA

ELEMENTS AND DIMENSIONS [CM]



* Thickness max 2,2 cm~

TYPES OF COMPOSITION

